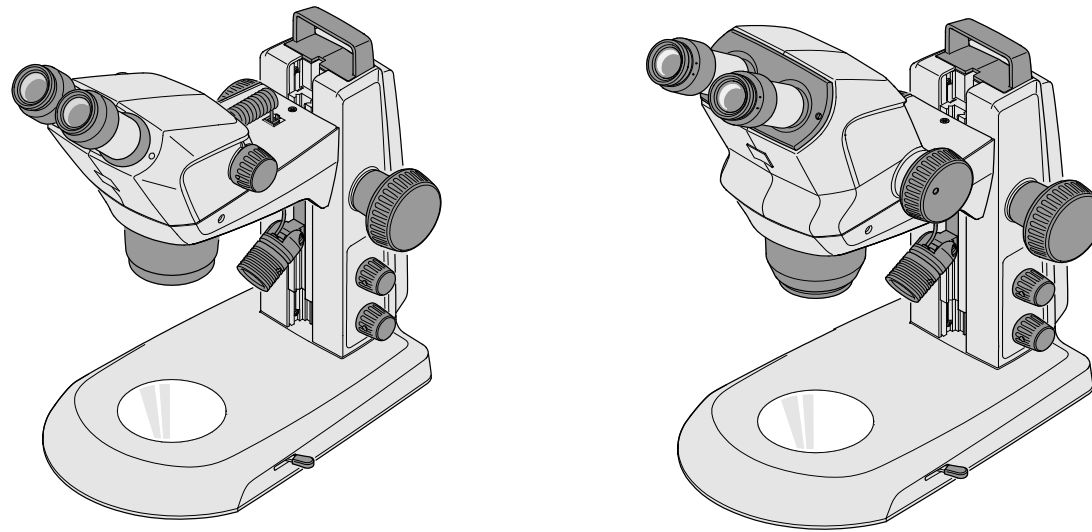


# Stereo Microscopes

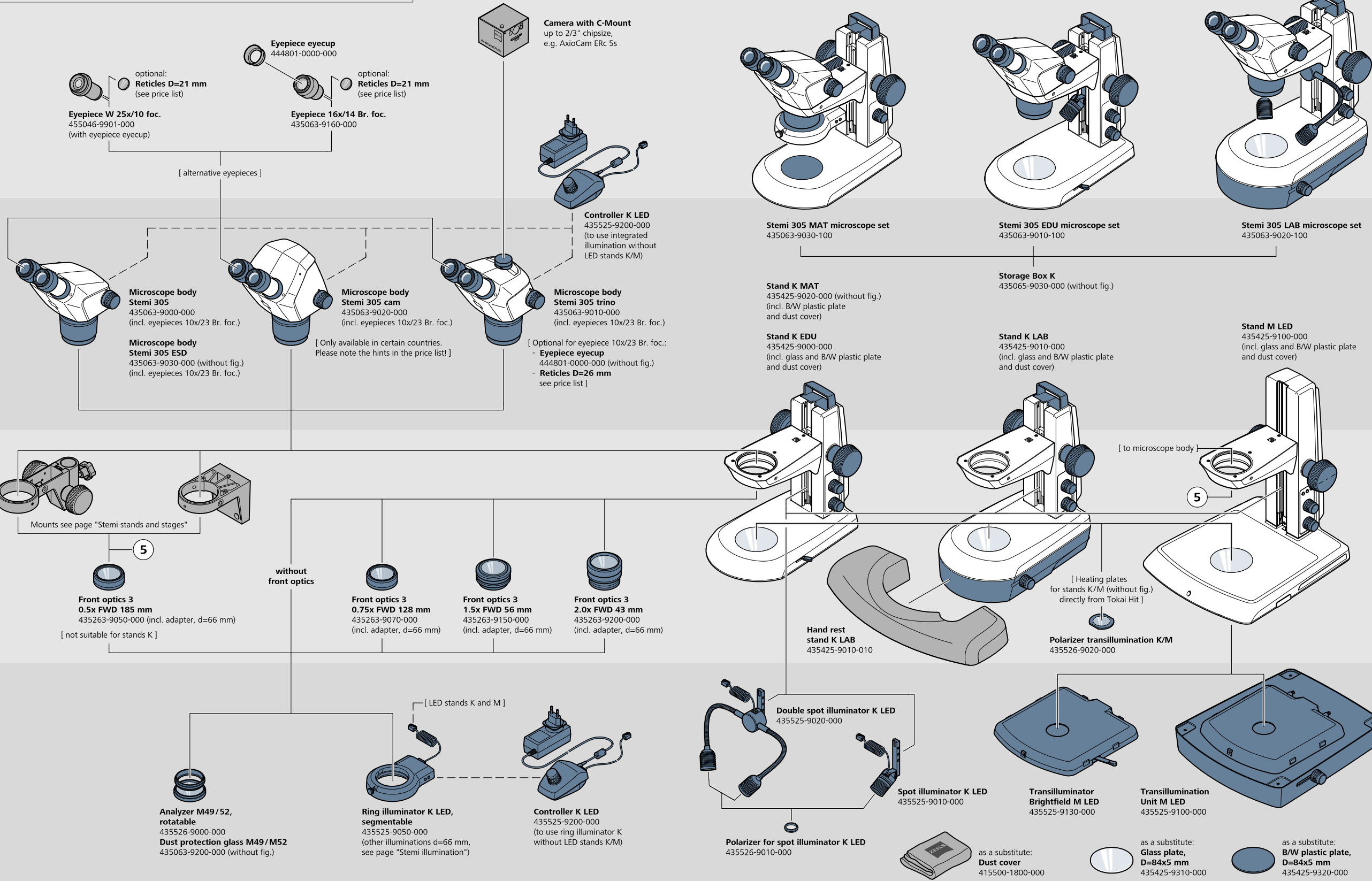
## Stemi 305, Stemi 508



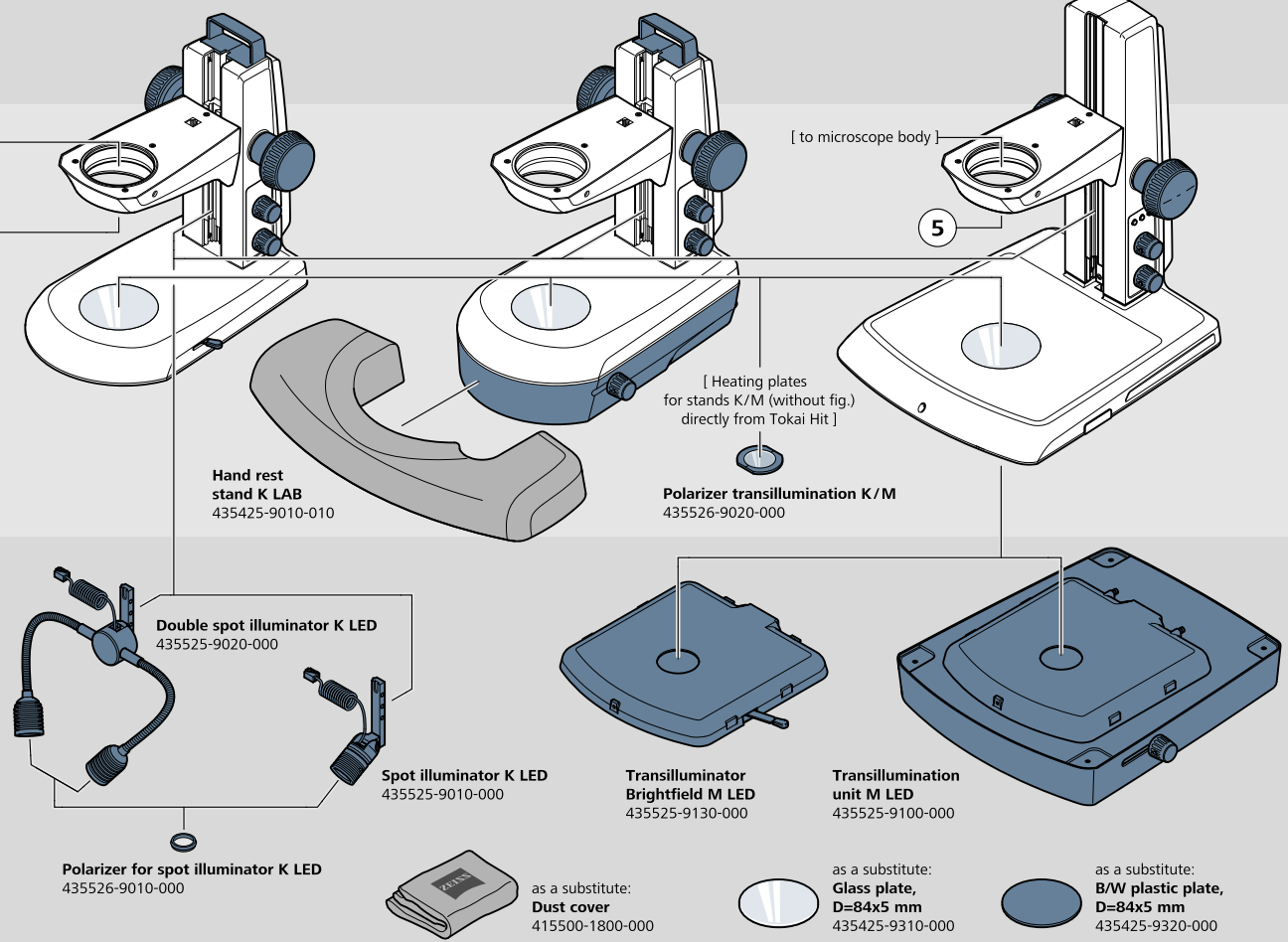
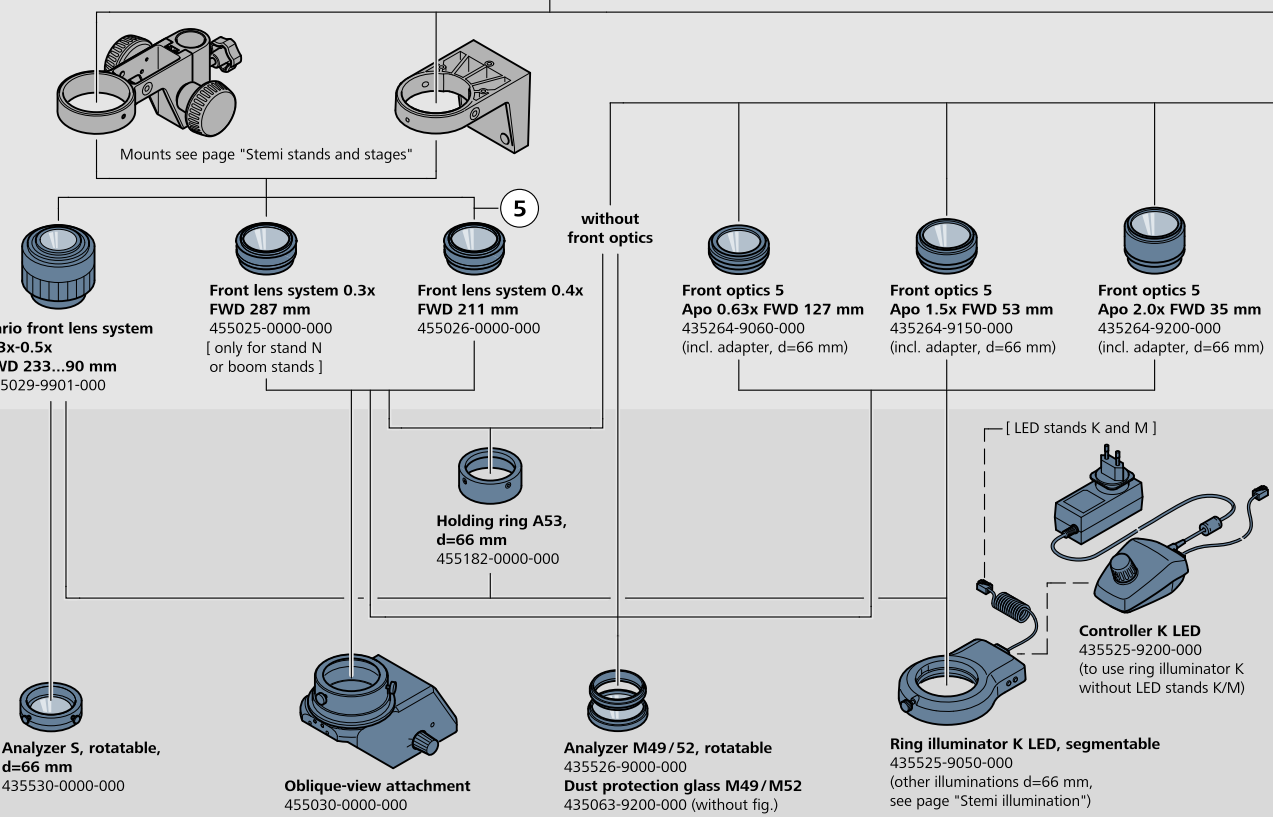
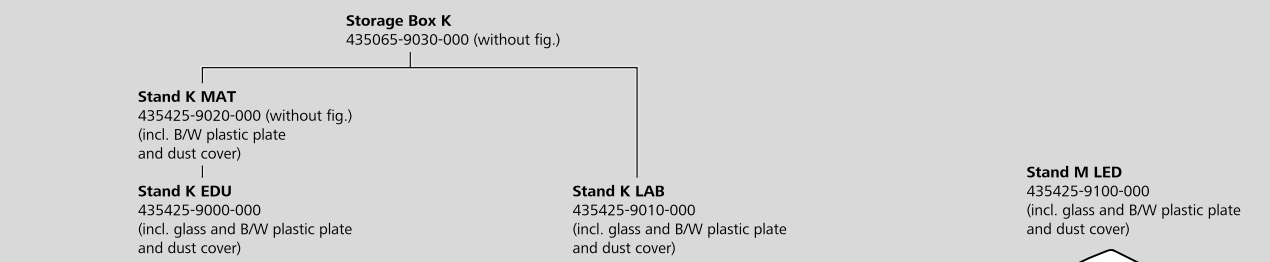
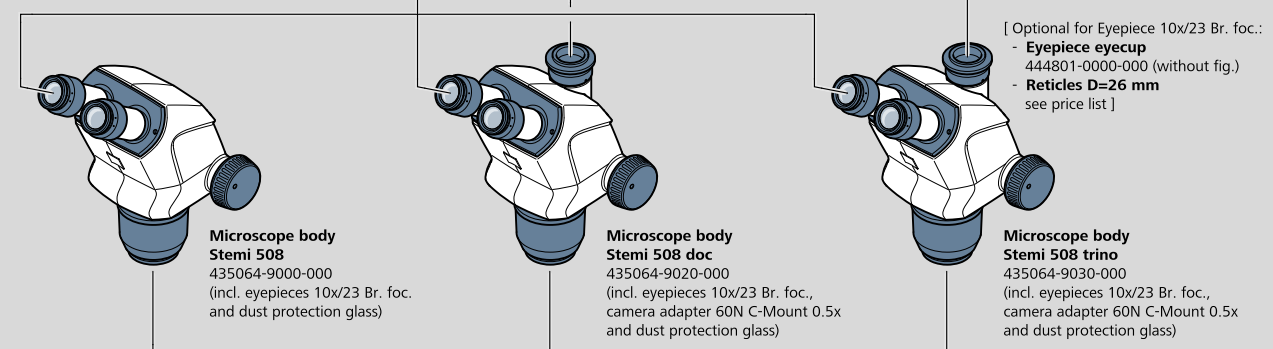
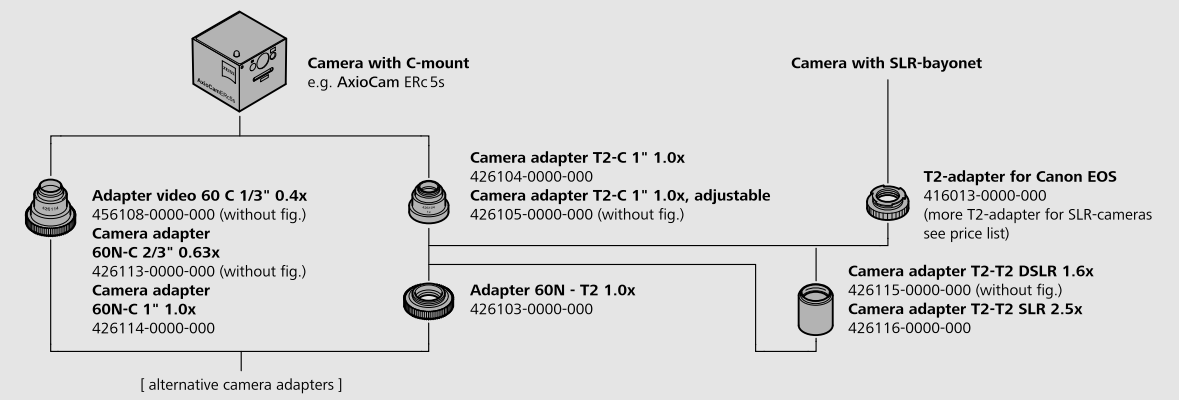
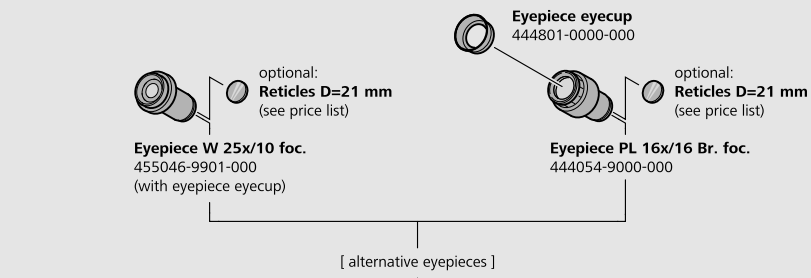
**System Diagram**



# Stemi 305 - Microscope Bodies, Optics, LED Stands K/M

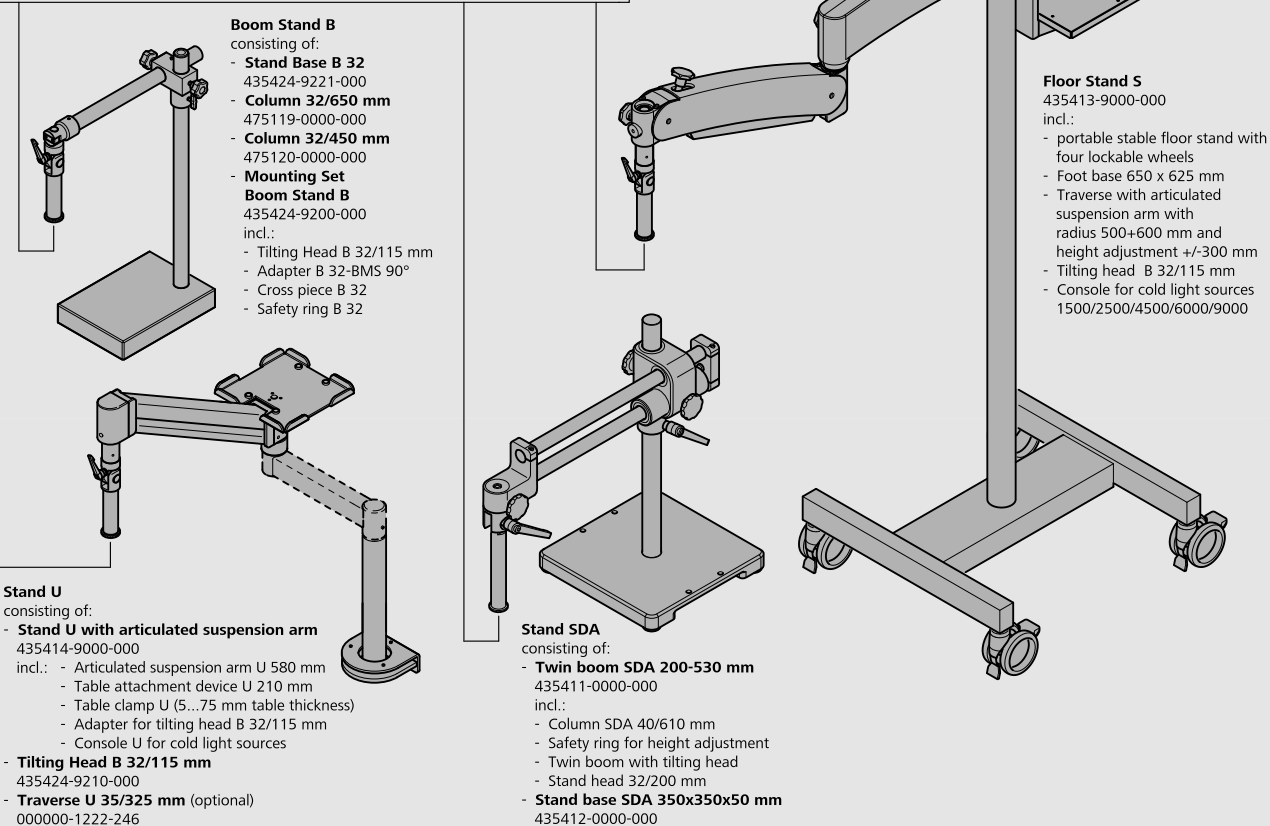
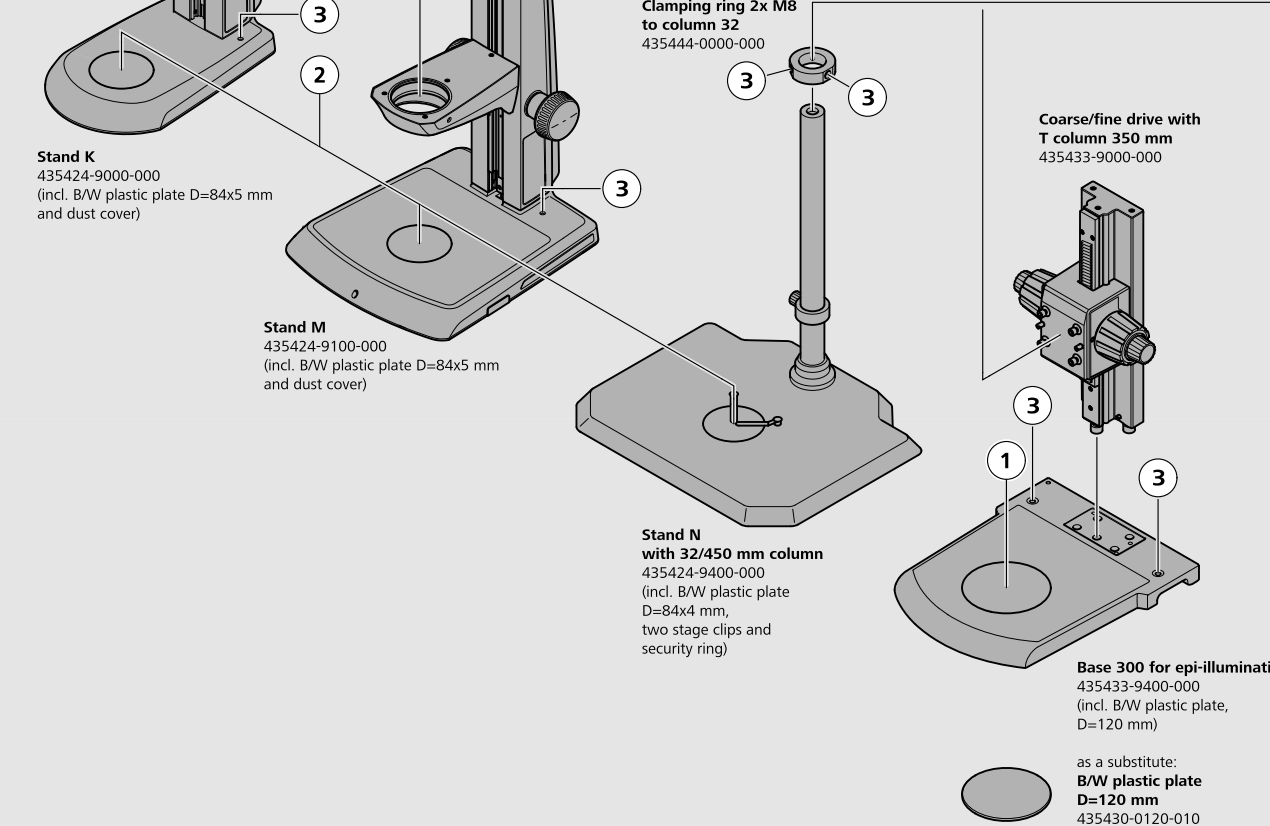
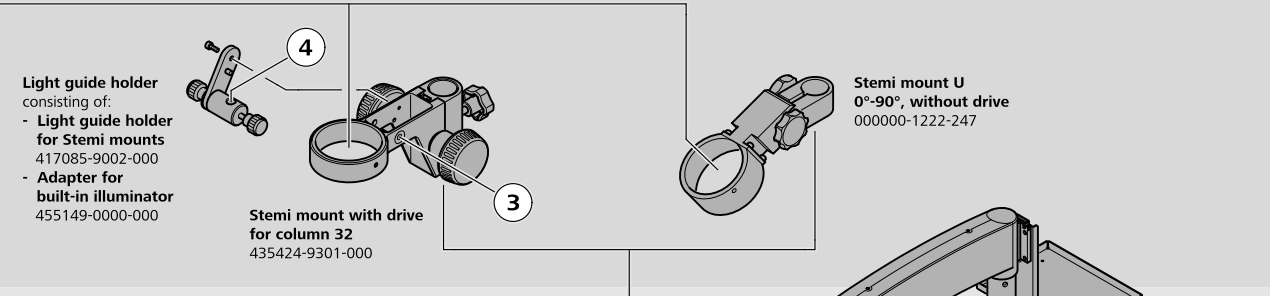
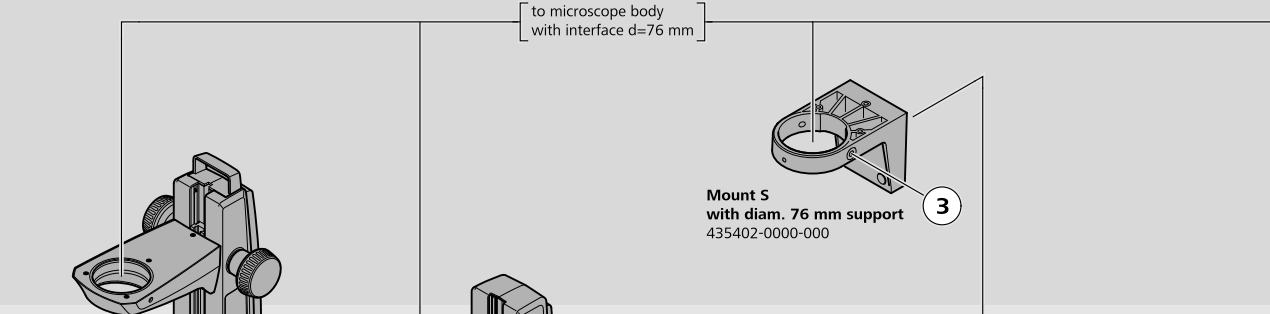
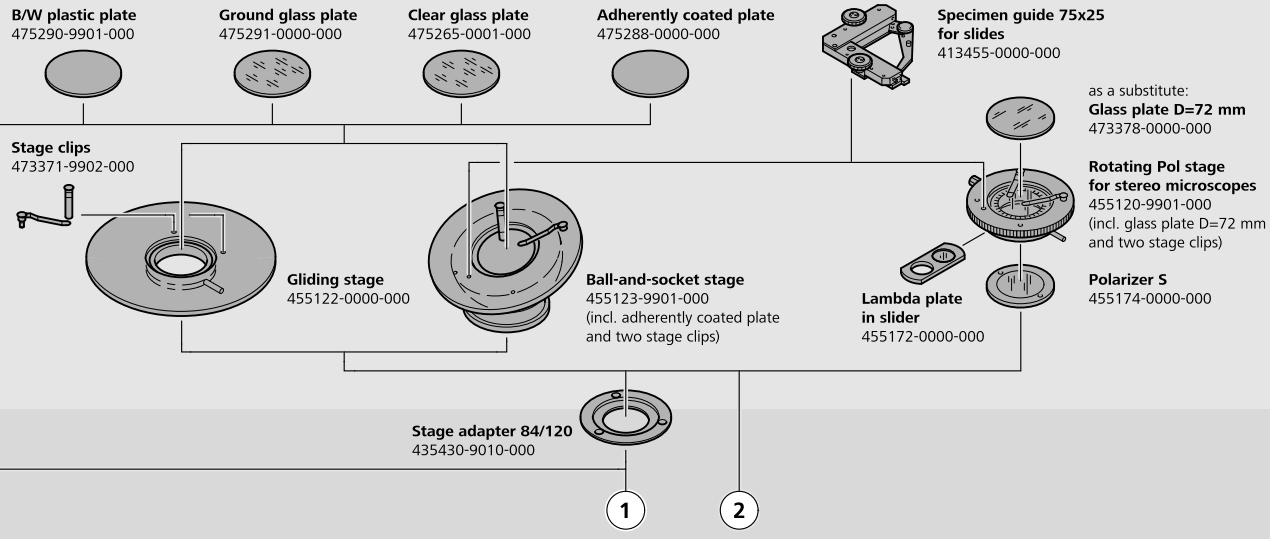
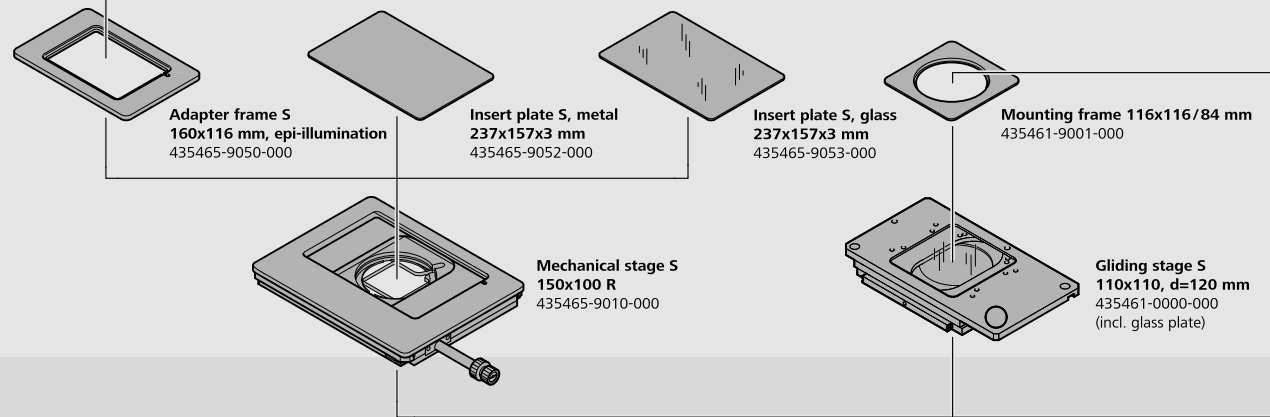


# Stemi 508 - Microscope Bodies, Optics, LED Stands K/M

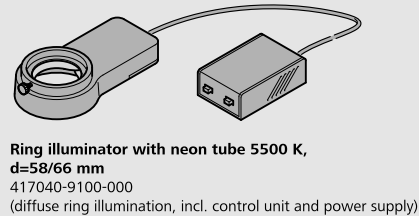


# Stemi 305/508 - Stands and Stages

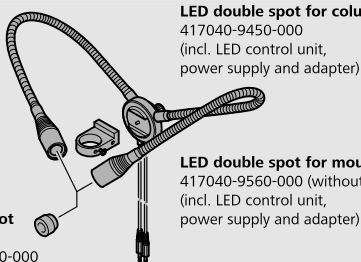
[Mounting frame or plate 160x116 mm of the mechanical stages of Axio Imager]



# Stemi 305/508 - Illuminators



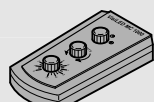
**Ring illuminator with neon tube 5500 K,**  
d=58/66 mm  
417040-9100-000  
(diffuse ring illumination, incl. control unit and power supply)



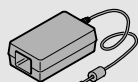
**LED double spot for column 32**  
417040-9450-000  
(incl. LED control unit, power supply and adapter)

**LED double spot for mount S 76 mm**  
417040-9560-000 (without fig.)  
(incl. LED control unit, power supply and adapter)

**EasyLED spot polarizer**  
417096-9600-000

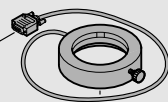


**Controller MC 1000 for VisiLED**  
417095-9040-000  
(1 VisiLED illuminator connectable)

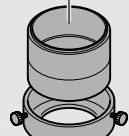


**Multiple controller MC 1500 for VisiLED**  
417095-9000-000  
(2 VisiLED illuminator connectable)

**Power supply 100...240 V, 50...60 Hz for VisiLED**  
417095-9050-000



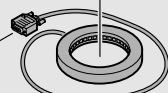
**VisiLED ring light S, 80-25 BF,**  
d=66 mm  
417095-9225-000 (without fig.)  
**VisiLED ring light S, 80-55 BF,**  
d=66 mm  
417095-9255-000  
(Segment ring illumination)



**Polarization filter set VisiLED/EasyLED**  
417095-9550-000  
(only with 417095-9255-000)



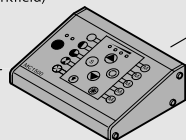
**Holder, d=66 mm to VisiLED DF**  
417095-9510-000



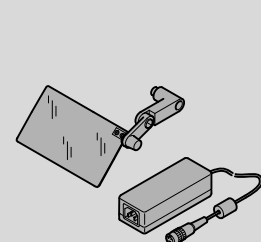
**Set for simultaneous fixing VisiLED BF+DF**  
417095-9500-000



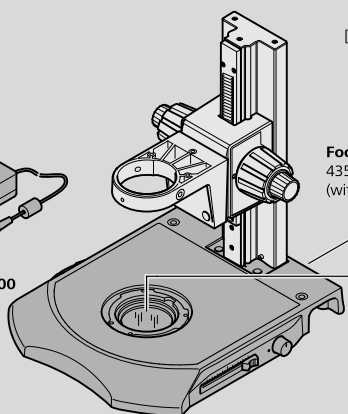
**VisiLED ring light S 40-10 DF,**  
d=66 mm  
417095-9300-000  
(Segment ring illumination for incident-light darkfield)



**Foot button S**  
435602-9010-000  
(without fig.)



**Transillumination base 300**  
435533-9500-000  
incl.:  
- Glass plate D=120 mm  
- Insert diaphragm 28/84  
- Power supply 24 V, 60 W  
- Antiglare shield



[ Stages: see page "Stemi stands and stages" ]  
[ Heating plate to base 300 (without fig.): directly from Tokai Hit ]



**Stage adapter 84+120 for transillumination base 300**  
435533-9510-000

as a substitute:  
**Glass plate, D=120 mm**  
435501-0002-000



**Polarizer S, D=84 mm**  
435531-0000-000

**Foot button S**  
435602-9010-000  
(without fig.)

